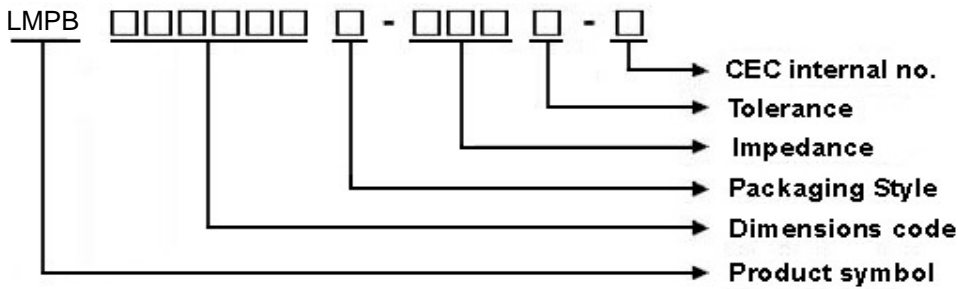


1 Scope: This specification applies to Multilayer Ferrite Chip Power Beads

2 Part Numbering:



3 Rating:

Operating Temperature: - 5 5 °C ~ 1 2 5 °C(Including self - temperature rise)

Storage Temperature: - 5 5 °C ~ 1 2 5 °C(after PCB)

- 5 °C~4 0 °C, Humidity 4 0 %~7 0 %(before PCB)

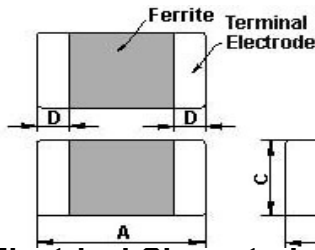
4 Marking:



5 Standard Testing Condition

	Unless otherwise specified	In case of doubt
Temperature	Ordinary Temperature(15 to 35°C)	20 to 30°C
Humidity	Ordinary Humidity(25 to 85% RH)	50 to 80 %RH

6 Configuration and Dimensions:



Dimensions in mm

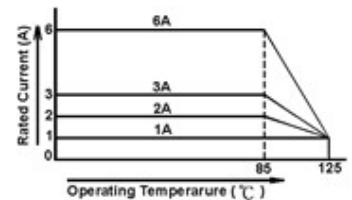
TYPE	160808
A	1.6±0.15
B	0.8±0.15
C	0.8±0.15
D	0.3±0.20

7 Electrical Characteristics:

Part No.	Impedance (Ω)	Test Freq.	RDC (Ω)Max.	Rated Current (mA)Max.
LMPB160808T-100Y-N	10	100 MHz,200 mV	0.01	6000
LMPB160808T-300Y-N	30	100 MHz,200 mV	0.015	4000
LMPB160808T-600Y-N	60	100 MHz,200 mV	0.03	3000
LMPB160808T-800Y-N	80	100 MHz,200 mV	0.04	3000
LMPB160808T-121Y-N	120	100 MHz,200 mV	0.04	3000
LMPB160808T-201Y-N	200	100 MHz,200 mV	0.05	2500
LMPB160808T-221Y-N	220	100 MHz,200 mV	0.08	2000
LMPB160808T-301Y-N	300	100 MHz,200 mV	0.08	2000
LMPB160808T-331Y-N	330	100 MHz,200 mV	0.08	2000
LMPB160808T-471Y-N	470	100 MHz,200 mV	0.1	2000
LMPB160808T-601Y-N	600	100 MHz,200 mV	0.1	2000

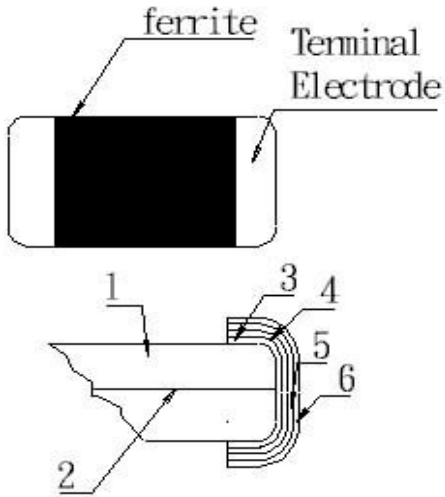
NOTE: tolerance Y=±25%

1. Operating temperature range - 5 5°C ~ 1 2 5°C(Including self - temperature rise)
 2. Rate Current : Applied the current to coils, the temperature rise shall not be more than 30°C
 3. Impedance Test OSC @200mV
- "-N" FOR COMPLETELY LEAD FREE TYPE(INCLUDING FERRITE BODY & SOLDER)



8 LMPB160808T Series

8.1 Construction:



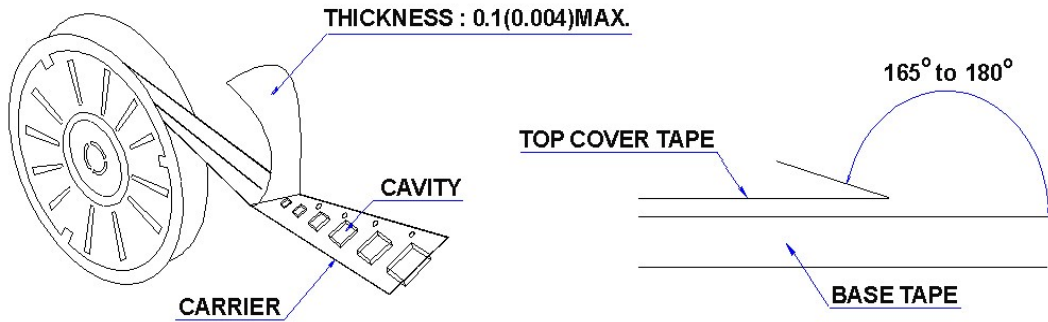
8.2 Material List:

No	Part	Material
1	Ferrite Substance	NiO-CuO-ZnO-Ferrite
2	Silver electrode	Ag
3	Silver electrode	Ag
4	Cu plating	Cu
5	Ni plating	Ni
6	Sn plating	Sn

9 Packaging:

9.1 Packaging -Cover Tape

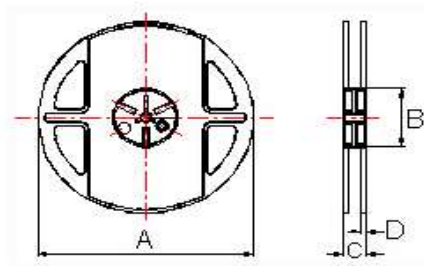
The force for tearing off cover tape is 10 to 100 grams in the arrow direction.



9.2 Packaging Quantity

TYPE	PCS/REEL
160808	4000

9.3 Reel Dimensions

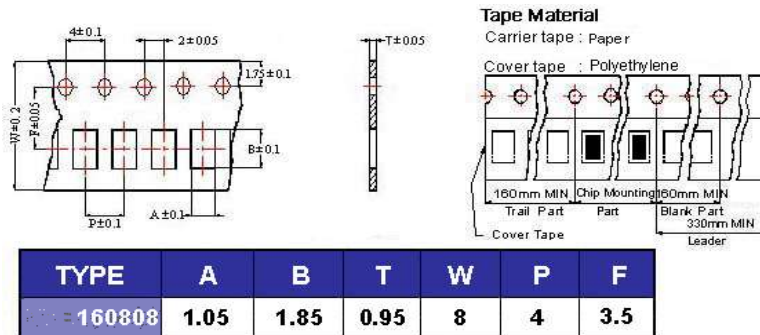


Dimensions in mm

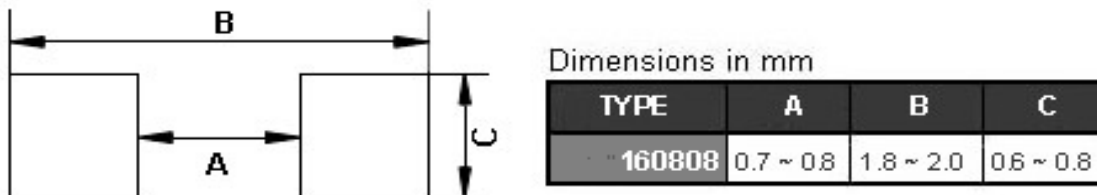
TYPE	A	B	C	D
160808	178	60	12	1.5

9 Packaging:

9.4 Tape Dimensions in mm



10 Recommended Land Pattern:



11 Note:

1. Please make sure that your product has been evaluated and confirmed against your specifications when our product is mounted to your product.
2. Do not knock nor drop.
3. All the items and parameters in this product specification have been prescribed on the premise that our product is used for the purpose, under the condition and in the environment agreed upon between you and us. You are requested not to use our product deviating from such agreement.
4. Please keep the distance between transformer/coil and other components (refer to the standard IEC 950)
5. The moisture sensitivity level (MSL) of products is classified as level 1.

12 Graph: LMPB160808T-601Y-N

