

Features

- Ideal for automated placement
- Superior Reverse Avalanche Capability
- +175°C Operation Junction Temperature
- Low power loss, high efficiency, High Reliability
- High temperature soldering guaranteed:
260°C/10 seconds
- Component in accordance to
RoHS 2011/65/EU and WEEE 2002/96/EC

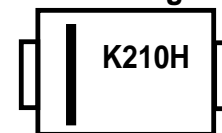


SOD-123FL

Mechanical Date

- **Case:** SOD-123FL
The plastic package carries Underwriters Laboratory
Flammability Classification 94V-0
- **Terminals:** Solder plated, solderable per
MIL-STD-750, Method 2026
- **Polarity:** Polarity symbols marked on case
- **Mounting Position:** Any

Marking



K210=Product Type Marking Code
H = High junction temperature

Maximum Ratings & Thermal Characteristics ($T_A=25^\circ\text{C}$ unless otherwise noted)

Items	Symbol	DSK210H	Unit
Maximum repetitive peak reverse voltage	V_{RRM}	200	V
Maximum RMS voltage	V_{RMS}	140	V
Maximum DC blocking voltage	V_{DC}	200	V
Average forward rectified current	$I_{F(AV)}$	2.0	A
Peak forward surge current 8.3 ms single half sine-wave superimposed on rated load	I_{FSM}	50.0	A
Thermal resistance from junction to lead ⁽¹⁾	$R_{\theta JL}$	25.0	$^\circ\text{C}/\text{W}$
Thermal resistance from junction to ambient ⁽¹⁾	$R_{\theta JA}$	85.0	$^\circ\text{C}/\text{W}$
Operating junction and storage temperature range	T_J, T_{STG}	-55 to +150	$^\circ\text{C}$

Note 1: Mounted on P.C.B. with 0.036 x 0.06" (0.9 x 1.5mm) copper pad areas.

Electrical Characteristics ($T_A = 25^\circ\text{C}$ unless otherwise noted)

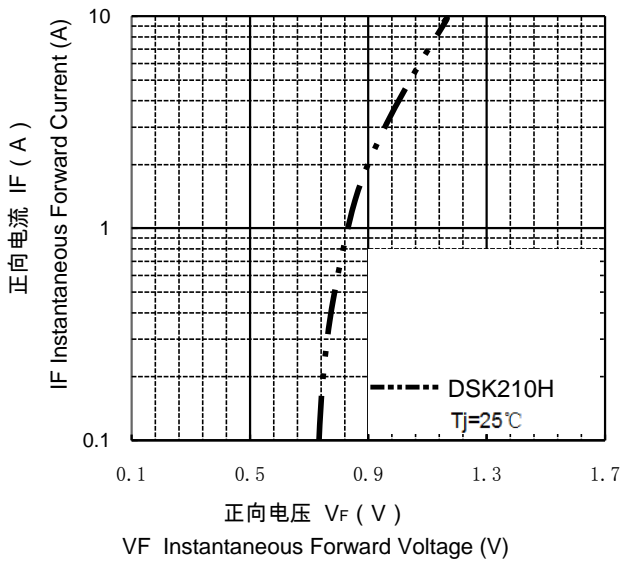
Items	Test conditions	Symbol	Min	Typ	Max	Unit
Instantaneous forward voltage	$I_F=2\text{A}^{(2)}, T_J=25^\circ\text{C}$	V_F	-	-	0.95	V
Reverse current	$V_R=V_{DC}$	I_R	-	-	1	μA
			-	60.0	-	

Note 2: Pulse test: 300 μs pulse width, 1% duty cycle.

Characteristics Curves

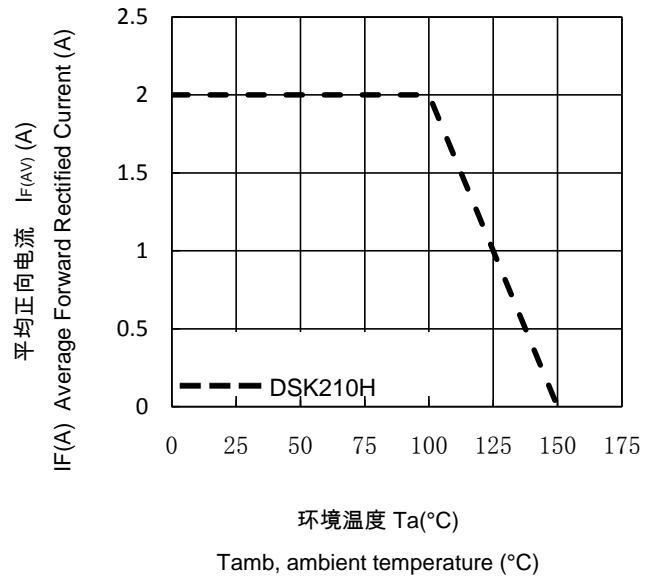
正向特性曲线 (典型值)

TYPICAL FORWARD CHARACTERISTIC



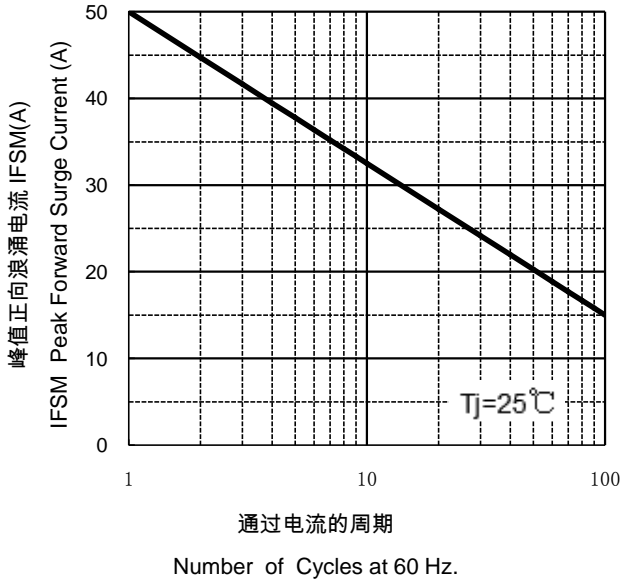
正向电流降额曲线

FORWARD CURRENT DERATING CURVE



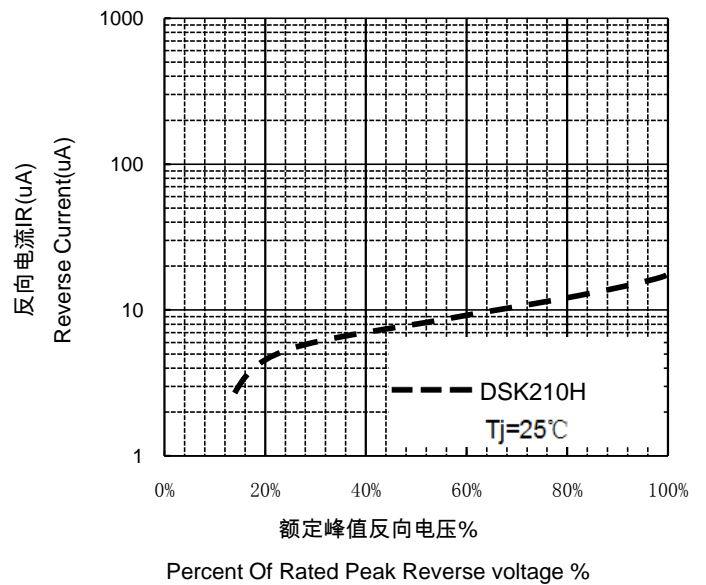
浪涌特性曲线 (最大值)

MAXIMUM NON REPETITIVE
PEAK FORWARD SURGE CURRENT

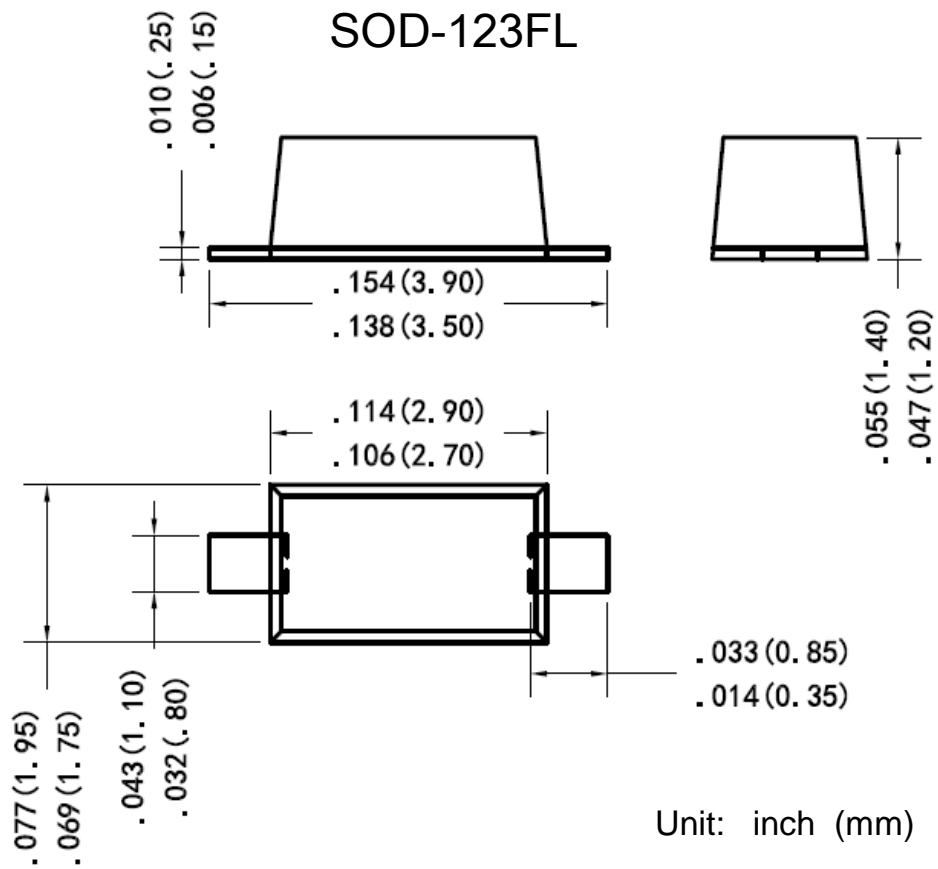


反向特性曲线

Typical Reverse Characteristics



Package Outline



Ordering Information

Outline	Reel (PCS)	Per Carton (PCS)	Reel Diameters (mm)
Taping	3,000		178/7"